



NFPA 20 Fire Pump Electrical Panel

1. Product Information

ETNA Fire fighting electric pump automatic control panel having LCD screen is designed to be in compliance with NFPA 20 with star/delta starting, equipped with electronic control unit with digital instruments, warnings and communications on LCD display and with RS-485 serial connection for remote warnings.

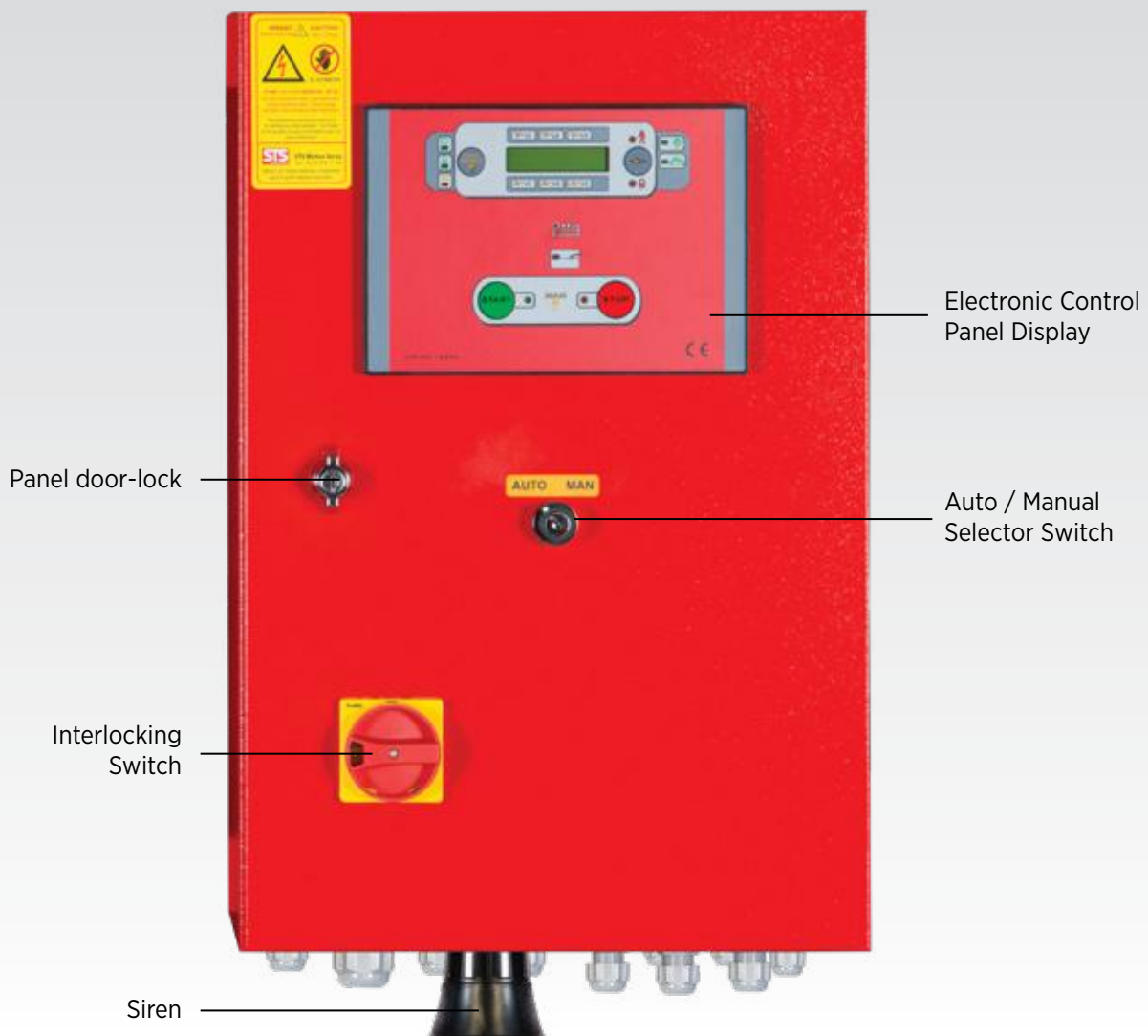


Figure 1. NFPA 20 Electric Control Panel- External View

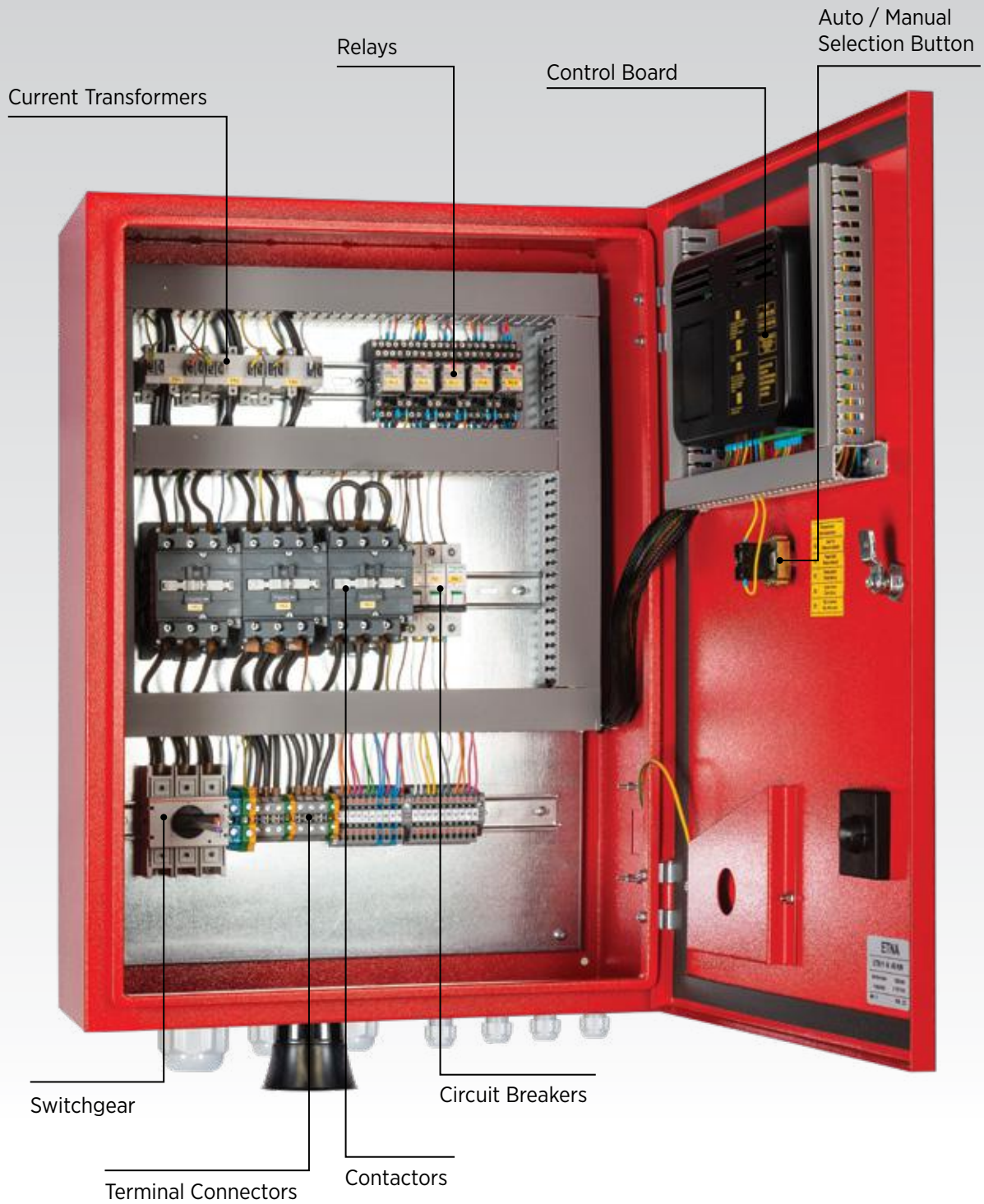
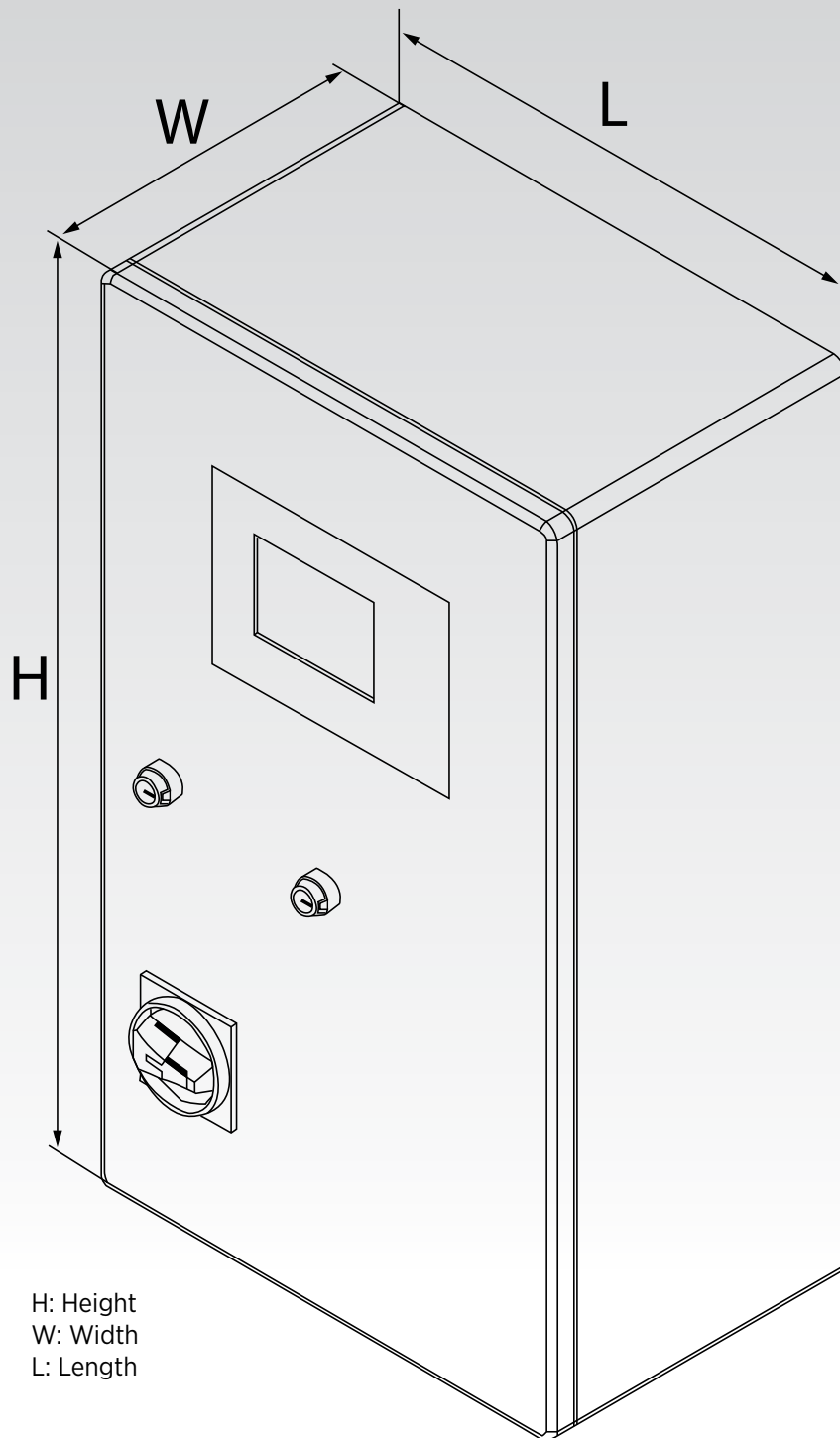


Figure 2. NFA 20 Electric Control Panel- Internal View

2. Dimensions



Motor Power		Dimensions		
HP	KW	L (mm)	H (mm)	W (mm)
15	11	400	600	200
20	15	400	600	200
25	18,5	400	600	200
30	22	400	600	200
40	30	400	600	200
50	37	400	600	200
60	45	500	700	260
75	55	500	700	260
100	75	600	800	260
125	90	700	1000	260
150	110	700	1000	260
180	132	800	1200	300
220	160	800	1200	300

Table 1. Dimensions (please ask quotation for the models out of the table)

3. Technical Specifications

- Epoxy coated DKP steel body
- Nominal mains voltage 400 VAC
- Operating Frequency 50/60 Hz
- Manual / Auto run option
- Phase absence / unbalance / sequence detection by phase protection relay
- 3 Mains Voltmeters (Max 570 V Precision \pm % 2)
- 3 Ammeters (Possibility for the connection of a single ammeter, Max 1000 a precision \pm % 2)
- Mains Frequency Meter (0 / 85 Hz Precision \pm % 2)
- Wattmeter (Active Power)
- Varmeter (Reactive Power)
- Voltammeter (Apparent Power)
- Cosphimeter (Power Factor)
- Total Hour Meter (Total Hours Of Pump Operation)
- Partial Hour Meter
- Star / Delta Start Command
- Impedance Start Command
- Button For Test Of The Warning Lights
- Start Stop Buttons
- Historical Report
- Schneider Switching Instruments
- MODBUS Serial communication (9600 Baud, 8 bit stop, EVEN parity)

3.1 Remote Auxiliary Functions

		INTERVENTION	
		SWITCHES THE RELAY	INDICATION SIGNAL
ELECTRIC POWER NOT AVAILABLE	<p>It is detected when at least one of the following faults occur:</p> <ul style="list-style-type: none"> - Voltage value failure or lowering even on just one phase - Phase sequence not correct (for three-phase systems only) - Blown switchboard fuses - Automatic startup excluded - Alarms 		
ELECTRIC PUMP STARTUP REQUEST	<p>It is detected in two ways;</p> <ul style="list-style-type: none"> - At the opening of the call pressure switches - At the closing of the pump priming tank float contact 		
ELECTRIC PUMP IN OPERATION			
START UP FAILURE			

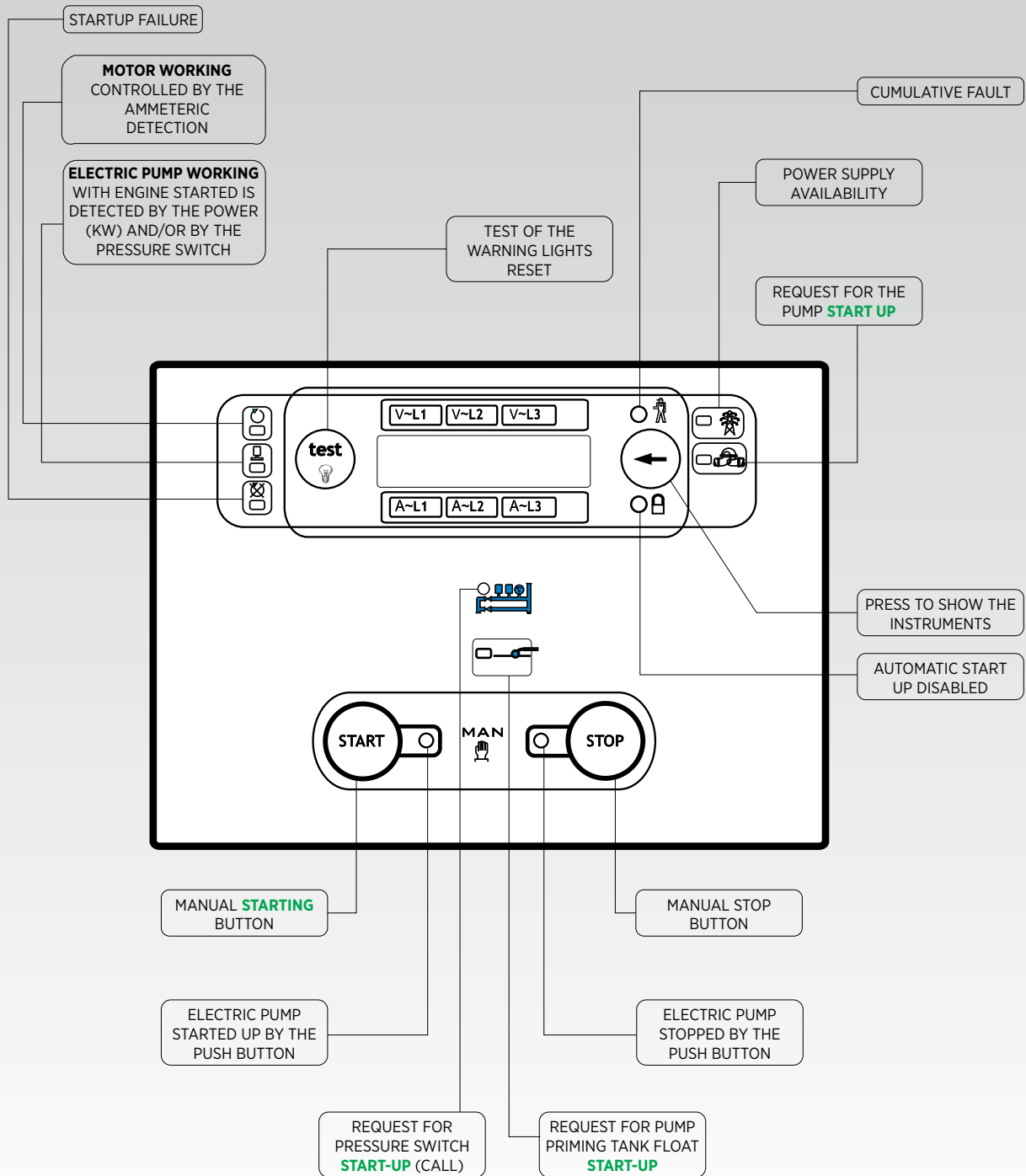


Figure 3. Control Panel Buttons and Indicators



Dudullu Organize Sanayi Bölgesi 2. Cadde No: 14
34775 Ümraniye İstanbul / Turkey
Tel : +90 216 561 47 74 (Pbx) • Fax : +90 216 561 47 50
www.etna.com.tr/en • info@etna.com.tr



ETNA®

0850 455 38 62
customer service